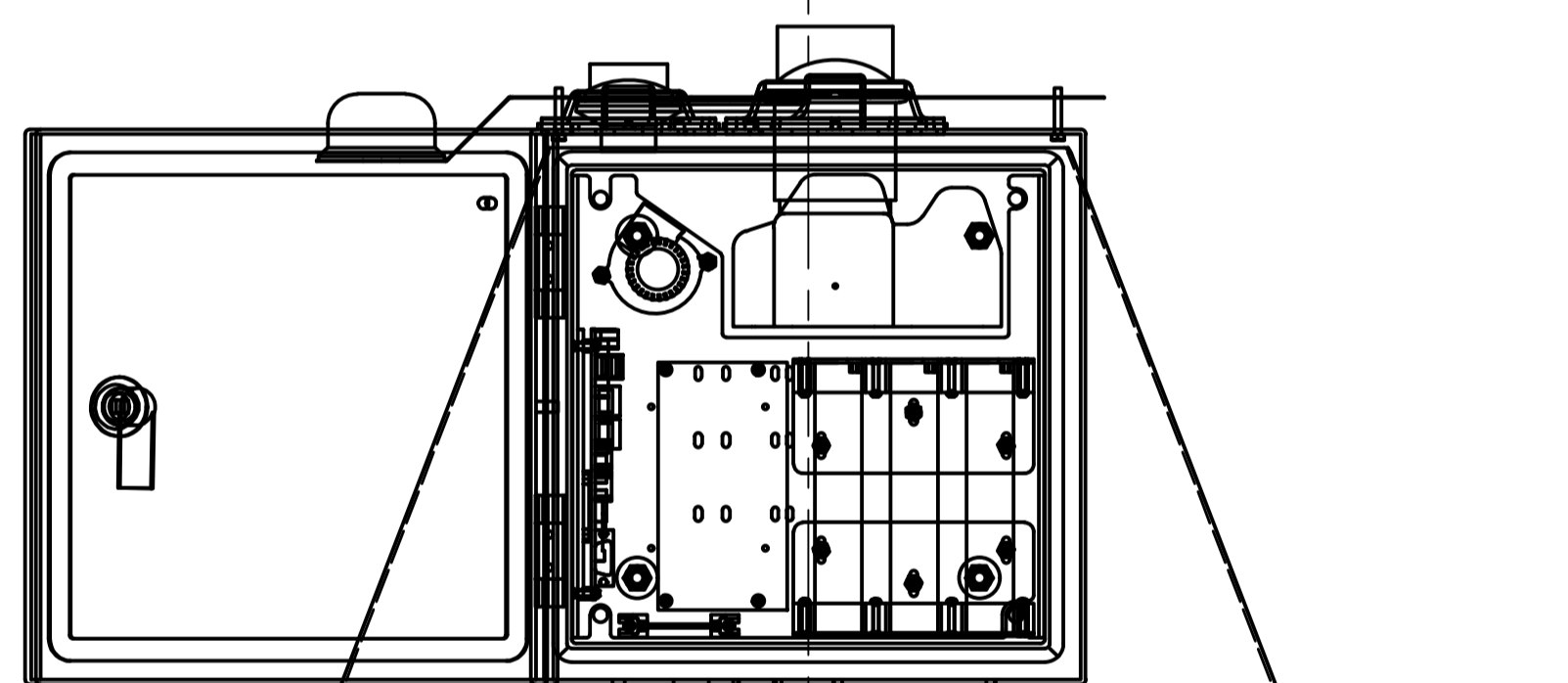
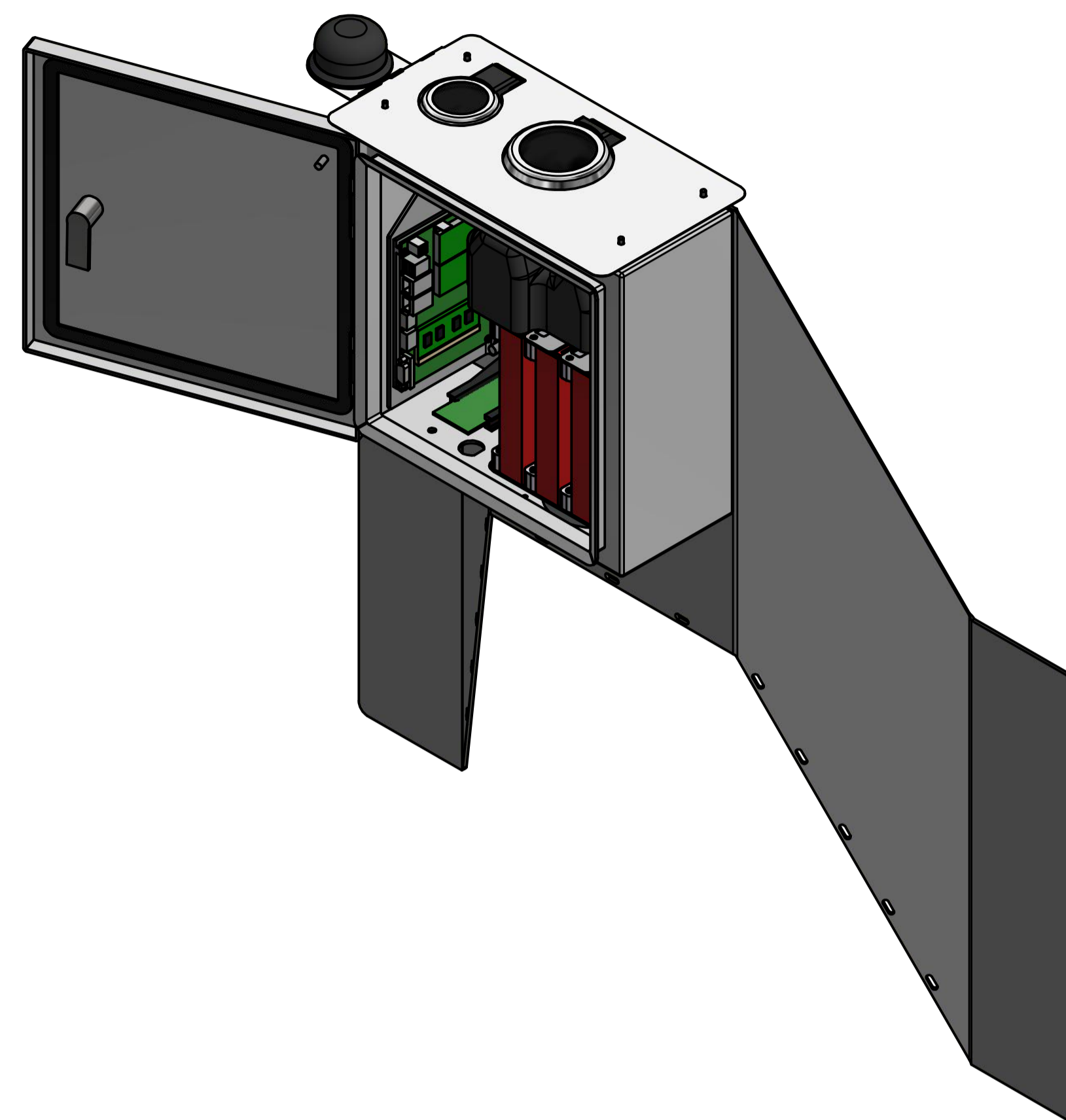
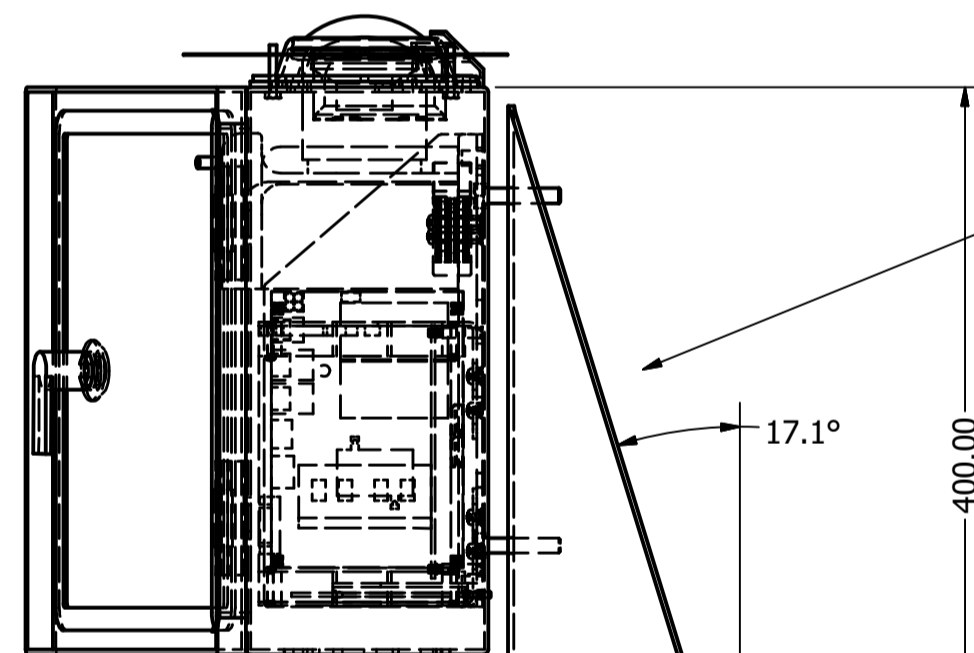


TOP  
SCALE 1 / 4



FRONT  
SCALE 1 / 4



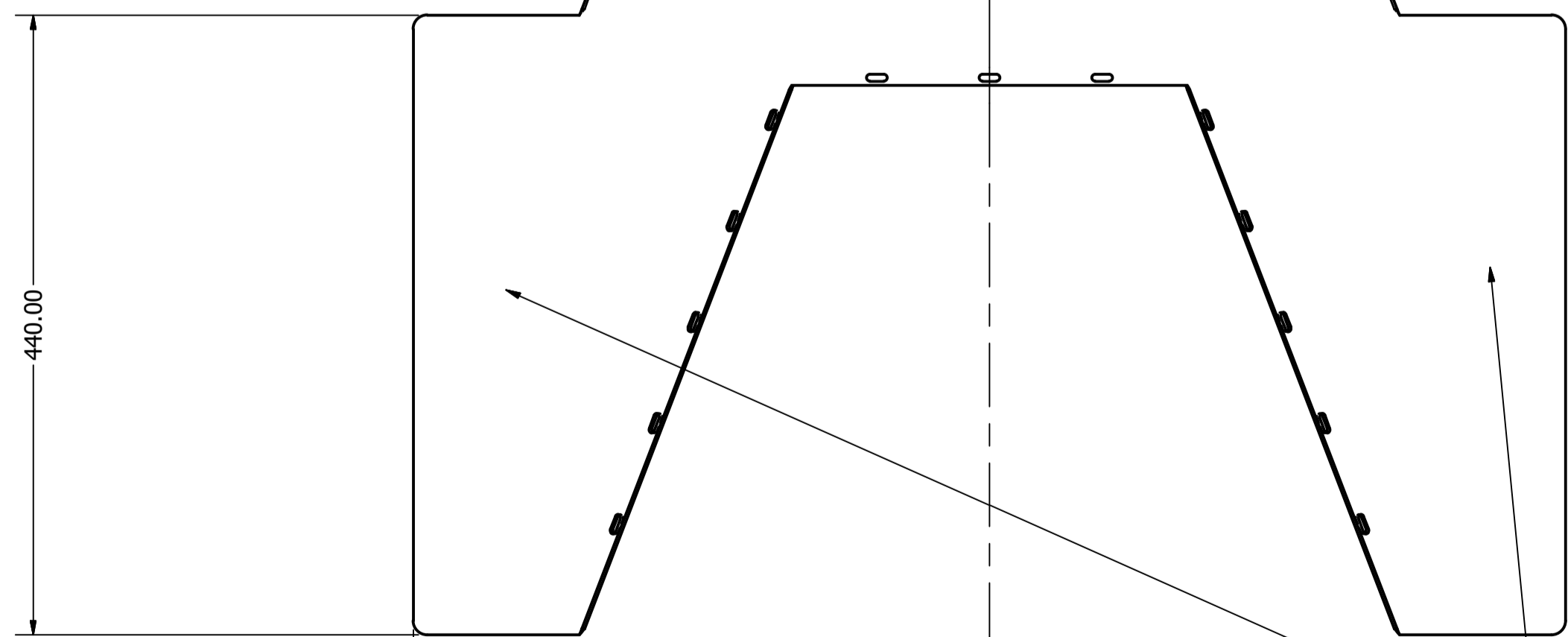
RIGHT  
SCALE 1 / 4

Ensure mount will clear roof lip here

17.1°

400.00

119.75



440.00

117.90

291.38

Place bolts or tek screws here, 2 per side, 4 in total

DRAWN Robert Howie	07-Jun-18	Space Science and Technology Centre, Curtin University	
CHECKED		TITLE	
QA		Winged Wall Mount - Overview	
MFG		SIZE A1	DWG NO winged_wall_mount
APPROVED		SCALE 1 / 4	REV
			SHEET 1 OF 1